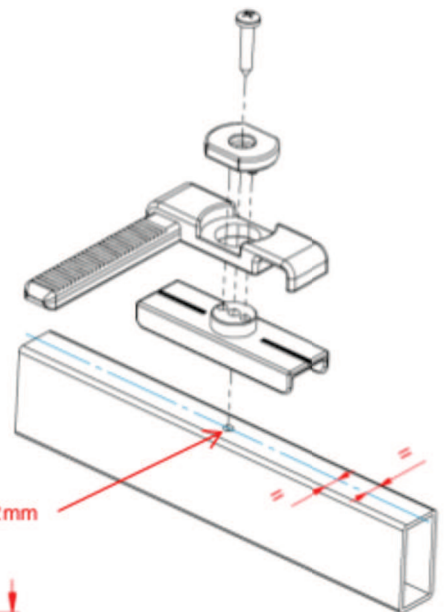
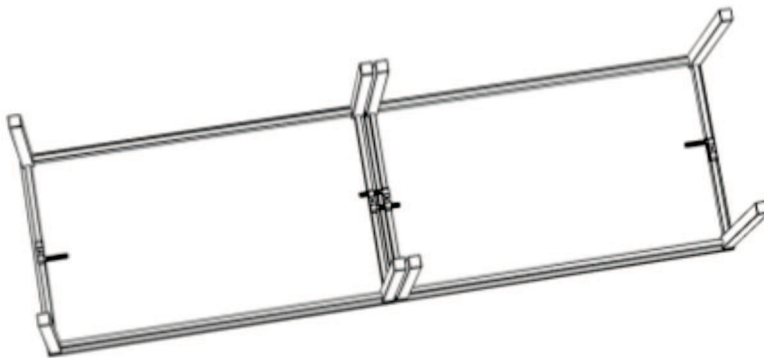
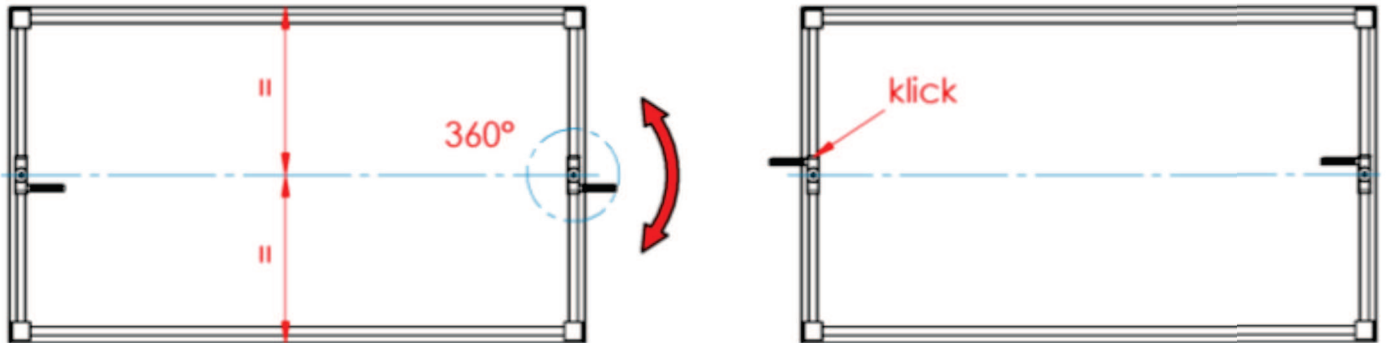


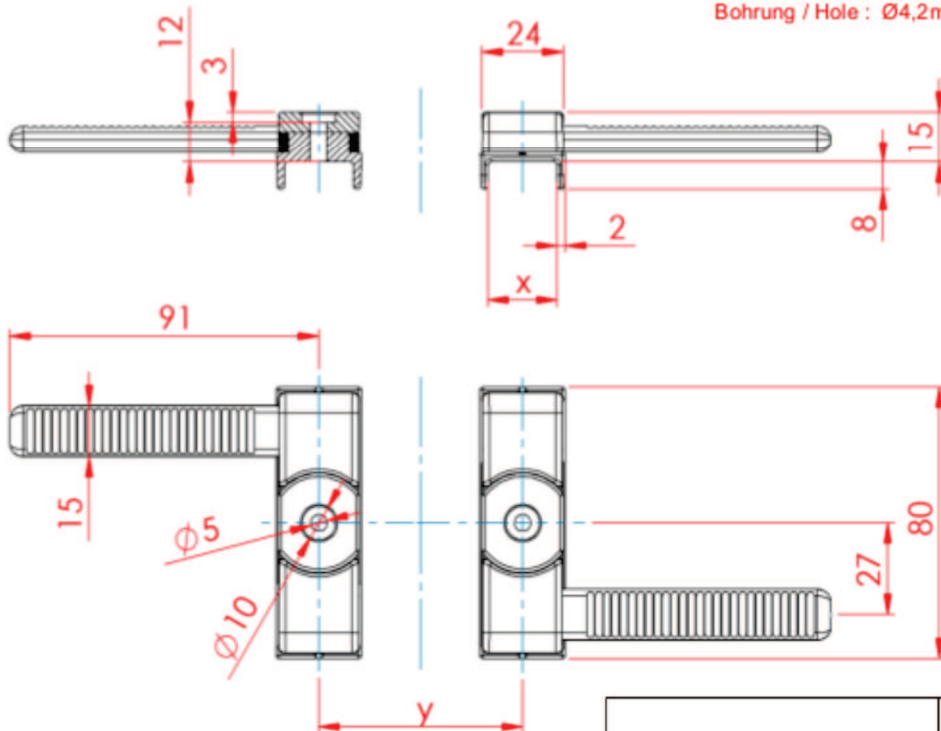
## Universalverbinder

## Universal Connector



Empfohlene Schraube : Linsen-Blechschaube PZ, DIN 7981, 4,8x25, verzinkt  
Recommended screw : Pan Head screw, PZ, DIN 7981, 4,8x25 zinc plated

Bohrung / Hole :  $\varnothing 4,2\text{mm}$

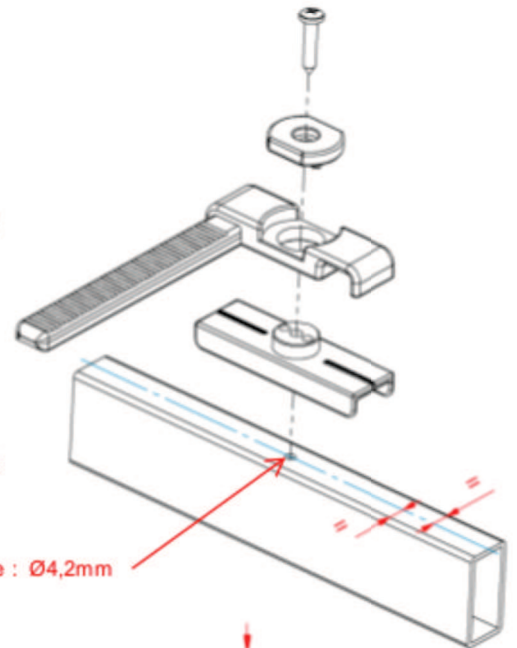
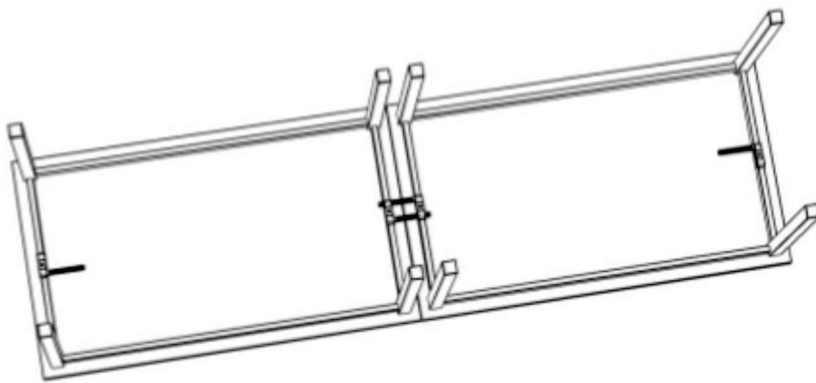
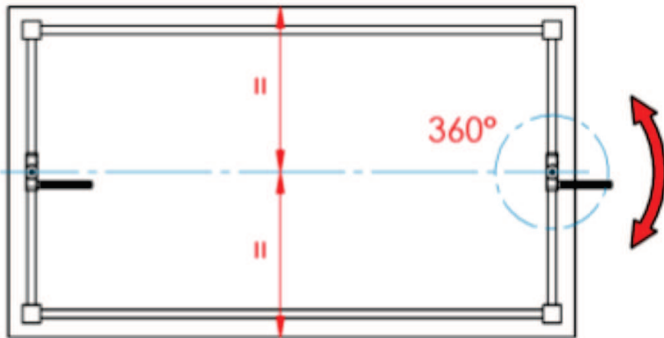


	x
Universalverbinder für Traverse 20mm Universal Connector for frame 20mm	20
Universalverbinder für Traverse 30mm Universal Connector for frame 30mm	30

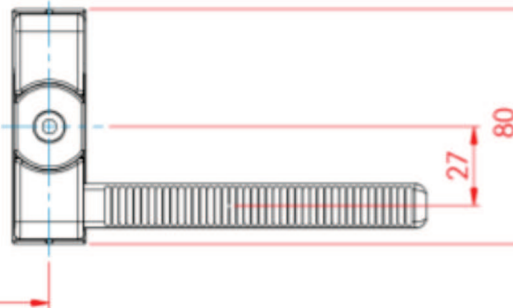
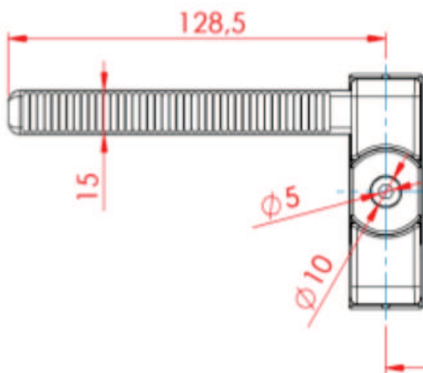
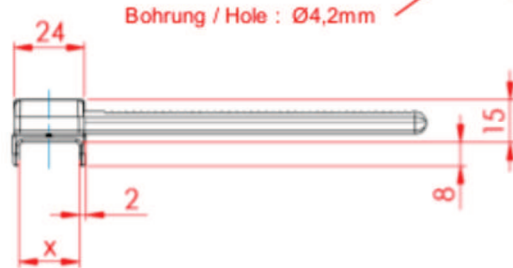
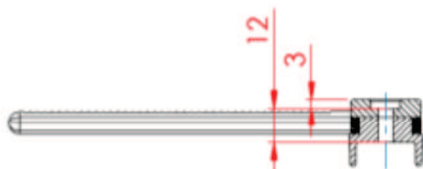
	y	
Universalverbinder für Traverse 20mm Universal Connector for frame 20mm	25-80	in 2,5mm Schritten in 2,5mm steps
Universalverbinder für Traverse 30mm Universal Connector for frame 30mm	35-80	

## Universalverbinder lang

## Universal Connector long



Empfohlene Schraube : Linsen-Blechschaube PZ, DIN 7981, 4,8x25, verzinkt  
Recommended screw : Pan Head screw, PZ, DIN 7981, 4,8x25 zinc plated



	y	
Universalverbinder für Traverse 20mm Universal Connector for frame 20mm	25-115	in 2,5mm Schritten in 2,5mm steps
Universalverbinder für Traverse 30mm Universal Connector for frame 30mm	35-115	

	x
Universalverbinder für Traverse 20mm Universal Connector for frame 20mm	20
Universalverbinder für Traverse 30mm Universal Connector for frame 30mm	30